



ART ON SHOW 2024
Tasmania's Annual Art Competition
SCHEDULE



CITY HALL, HOBART
OCTOBER 24TH-26TH 2024



**ROYAL
HOBART
SHOW**

Artery Art on Show

WHAT'S NEW IN 2024

EXHIBITION RETURNS TO CITY HALL

We are delighted to announce that Artery Art on Show, Creative Crafts and Youth Art & Student Photography will be on display at City Hall in Hobart in 2024. Once again, entry to the exhibition at City Hall is free and will be open to the public between the 22nd and the 26th of October 2024.

NEW FRAME & HANGING SPECIFICATIONS

Due to the impressive quality of work entered, new hanging specifications for the Artery Art on Show competition have been implemented to ensure we raise the presentation and consistency of the exhibition. Please find further details in the Conditions of Entry and visual examples in the Hanging Specification diagram on page 5 of the Schedule.

ARTERY EMERGING ARTIST AWARD UPDATE

Based on feedback from the art community, the Committee have decided to increase the age limit for the Artery Emerging Artist Award to 25. This special class is open to young emerging artists aged between 15 and 25 and intended to assist aspiring artists in the furtherance of their artistic endeavours. The winner receives \$1000 in prize money generously sponsored by Artery.

ARTWORK EXHIBIT LABEL UPDATE

In previous years, Exhibitors manually completed "Part B" of the entry form and attached the labels to the back of each artwork prior to delivery. This year, artwork exhibit labels will now be created by the RAST competition coordinator and emailed to all Exhibitor's after entries close. The artwork exhibit label is an important identifier for the Artery Art on Show competition and needs to be attached to the back of each artwork entry prior to delivery. Please read the schedule for further details

Artery Art on Show

COMPETITION & EXHIBITION DETAILS

ENTRY FEES

\$15.00 – first entry

\$10.00 – subsequent entries (maximum 3 entries)

HOW TO ENTER

Enter Online: <http://entries.hobartshowground.com.au>

Manual Entry Form: Complete Part A of the entry form including payment details and email to admin@hobartshowground.com.au or hand deliver to the address below. Part B (now called Artwork Exhibit Labels) will be emailed to Exhibitors to attach to the back of artwork after entries close.

The Royal Agricultural Society of Tasmania
Hobart Showground - Admin Office
2 Howard Road, GLENORCHY TAS 7000

PAYMENT

Payment for entries can be made via credit card when entering online. Alternatively, pay by cheque made out to the RAST or pay cash at the office.

Direct deposit to the RAST: BSB: 017209 Account Number: 836724957 (*please put your surname followed by ART as the reference*).

IMPORTANT DATES

Entries Open: 3rd June 2024

Entries Close: 30th September 2024

Judging: 17th October 2024

Exhibition & Display: City Hall, 22nd - 26th October 2024 (Free Entry)

Artwork Delivery: City Hall (57- 63 Macquarie Street), access via side door on Market Place.

Sat 12 th Oct	Mon 14 th Oct
1:00pm – 5:00pm	9:00am – 1:00pm

Artwork Collection: City Hall (57- 63 Macquarie Street), access via side door on Market Place.

Sun 27 th Oct
9:00am – 2:00pm

CONTACT & ENQUIRIES

Phone: 03 6272 6812

Email: admin@hobartshowground.com.au

Website: www.hobartshowground.com



PICTURE FRAMING & ART SUPPLIES FOR OVER 45 YEARS.

info@arterydirect.com.au

arterydirect.com.au

137 Collins Street, Hobart

(03) 6234 3788

Artery Art on Show AWARDS & PRIZES

OVERALL WINNER \$1400.00 prize money sponsored by Artery.

Selected from sections A to D.

RUNNER UP \$600.00 prize money sponsored by Artery.

Selected from sections A to D.

THE ARTERY EMERGING ARTIST AWARD \$1000.00 prize money sponsored by Artery.

Open to young emerging artists aged between 15 and 25. This award is intended to assist aspiring young artists in the furtherance of their artistic endeavours.

THE MARGARET GUNN PERPETUAL TROPHY \$500.00 prize money sponsored by the Gunn family.

This perpetual trophy is awarded to a quiet achiever by the Gunn family.

A quiet achiever is an artist who has supported the RAST exhibitions and made a significant contribution to the Tasmanian arts community quietly and without fuss.

THE RAST AWARD \$500.00 prize money sponsored by RAST.

This award is for an entry that best depicts an agricultural theme. It will be selected from all sections.

PORTRAIT PRIZE \$500.00 prize money sponsored by Artery.

Portraits across any medium to be considered for this prize.

PEOPLE'S CHOICE AWARD \$250.00 prize money sponsored by RAST.

To be decided by votes from the viewing public.

SECTION A - Work in Oil and/or Acrylic

Includes mixed media which is predominately oil or acrylic.

- **1st Place \$500.00** Artery Voucher
- **2nd Place \$250.00** Artery Voucher

SECTION B - Work in Water Media

Includes, watercolour, gouache, mixed media which is predominately water media.

- **1st Place \$500.00** Artery Voucher
- **2nd Place \$250.00** Artery Voucher

SECTION C - Drawing and other media

Includes ink, pencil, pastel, charcoal, printmaking and any other media.

- **1st Place \$500.00** Artery Voucher
- **2nd Place \$250.00** Artery Voucher

SECTION D – Miniatures (100 square cm size limit)

- **1st Place \$500.00** Artery Voucher
- **2nd Place \$250.00** prize money sponsored by the RAST

SECTION E - Photography

Photography can include manipulated digital imagery.

- **1st Place \$350.00** Print and frame services voucher from Full Gamut
- **2nd place \$150.00** Print and frame services voucher from Full Gamut



THE ROYAL AGRICULTURAL
SOCIETY OF TASMANIA

Artery Art on Show

CONDITIONS OF ENTRY

1. All work must be the original, uncopied work of the exhibitor, be unaided and completed within two years prior to this Exhibition.
2. Once entered, artworks should be set aside for the Art on Show Exhibition until judging has been completed. Entries cannot be withdrawn due to change of mind or the artwork selling prior to, or during, the judging period. Entries can only be withdrawn in exceptional circumstances which have been approved by the RAST Management. The entry fee is non-refundable.
3. Each artist can exhibit a maximum of 3 works. Only 2D work will be accepted.
4. Only artists aged between 15 and 25 at the 1st October 2024, can be eligible for the Artery Emerging Artist Award.
5. ENTRY FEE: \$15 first entry, subsequent entries \$10. Fee must accompany entry form and is nonrefundable.
6. All entries must be suitably framed, using upwards facing D-rings for hanging. Must be placed 10cm from top of D-ring to top of frame. No hanging wire. Miniatures must have small upwards facing D-rings for hanging. Must measure 1/4 the height of frame, from top of D-ring to top of frame. No hanging wire. **Please see Hanging Specifications diagram and instructions on page 5.**
7. Gallery edged canvas entries are accepted unframed, provided that there are no exposed staples or fastenings and are ready to hang as per condition 6.
8. Unsatisfactorily framed work may not be hung. Wet work will not be accepted.
9. Artwork in all Sections shall not exceed 155 cm on any one side. Miniatures in section D, must adhere to a 100 square cm size limit (10cm x 10cm).
10. No AI-generated art, diptych, triptych or multi-panelled work will be accepted.
11. All works must be for sale with a 25% commission to RAST.
12. Exhibitors must complete the entry form and pay the appropriate fee. Entry can be made online [HERE](#) or by completing Part "A" of the manual entry form and payment must be forwarded to admin@hobartshowground.com.au or posted to RAST, PO Box 94, Glenorchy, 7010 by the 30th of September 2024.
13. This year, artwork Exhibit Labels (previously known as "Part B" of the entry form), will be sent by email to all Exhibitors after entries close. Artwork Exhibit Labels will need to be printed and attached to the bottom left-hand corner on the back of each artwork prior to delivery. The artwork Exhibit Labels will be created and sent by RAST and must show the Exhibitor's Name, Title of Artwork, Price and Section of entry.
14. Exhibitors wishing to be considered for the **Emerging Artist Award** will need to enter this special Class separately. Exhibitors between 15 and 25 are invited to enter. The winner receives \$1000 prize money and is open to young emerging artists. Please see the Artery Art on Show schedule for conditions of entry and details on how to enter.
15. Although all possible care will be taken, RAST, its employees and Art on Show committee accept no responsibility for any loss, theft or damage to the artwork either before, during or after delivery or transit to and from the artist and/or during any exhibition. Artists are advised to arrange their own insurance.
16. Exhibitors agree to publication of reproductions of their work for publicity purposes for newspapers, magazines, web-based media or television.
17. Entries accepted on the basis that all artwork that wins a major award will be available for display at Artery for one week from the conclusion of the Royal Hobart Show.
18. The artworks are judged by a panel of independent and experienced judges. The judges' decision is final and no correspondence will be entered into.

19. The judges reserve the right to withhold an award if there are not sufficient entries in a section or if the works in a section are not of an acceptable standard.
20. Artists of work that is deemed NOT to meet the Conditions of Entry will be contacted by Friday 18th October 2024.

Artery Art on Show

KEY INFORMATION

Definitions:

Gift Vouchers – Redeemable for art materials and or picture framing at Artery OR print and frame services from Full Gamut. Prize money - Cheque made out to the prize winner from the sponsor.

Delivery Instructions:

All artwork to be delivered at the artists' expense to City Hall (57-63 Macquarie St, Hobart Tas 7000, access via Market Place) during the delivery times noted in the schedule only. The RAST cannot accept or store artwork prior to these times and take no responsibility for damaged or lost artwork.

Collection Instructions:

Collection of work at the artists' expense from City Hall (57-63 Macquarie St, Hobart Tas 7000, access via Market Place) at the delivery times noted in the schedule. If artwork is unable to be collected during these times, an alternative time must be arranged with the RAST staff prior to the collection date. Artwork not collected by the end of November will become the property of RAST. Sold work may be collected by the buyer by arrangement.

Stewardship and Hanging Art:

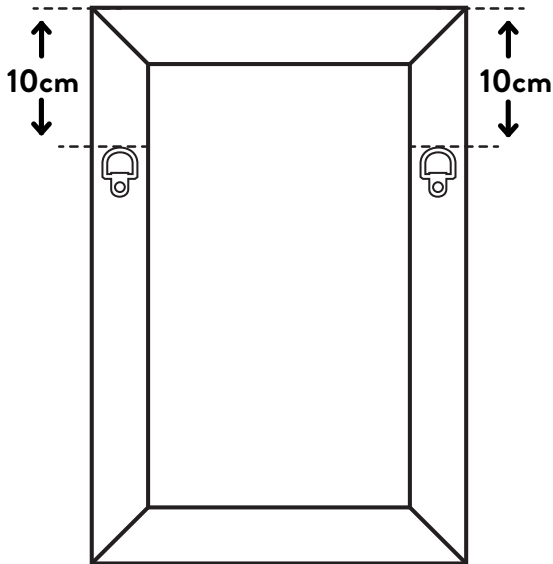
Artists are encouraged to assist with set-up and/or stewarding during the exhibition. A free entry ticket will be provided. Please indicate your preferred time on your entry form.

Artist's Payments:

Artists will be paid by RAST for the sale price of works less 25% commission by the end of November 2024. Payment will be made by bank transfer or cheque.

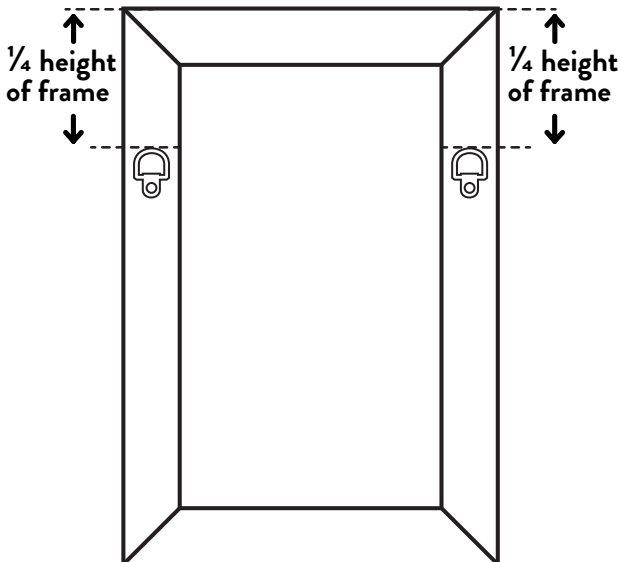


HANGING SPECIFICATIONS



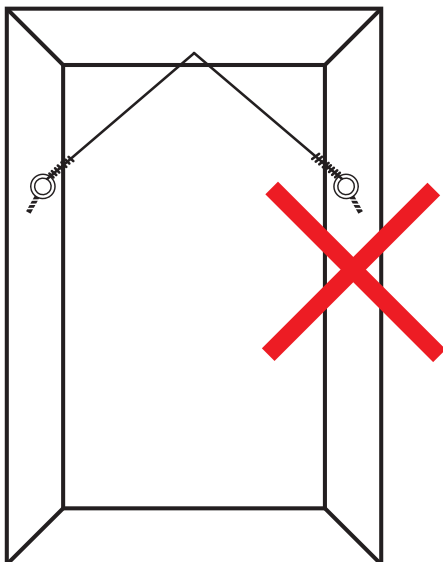
General Entries

- Use upwards facing D-rings for hanging.
- 10cm from top of D-ring to top of frame.
- No hanging wire.



Miniatures

- Use small upwards facing D-rings for hanging.
- Measure 1/4 the height of frame, from top of D-ring to top of frame.
- No hanging wire.



Not Like This

- D-rings only.
- No Eylets.
- No hanging wire.

MANUAL ENRTY FORM 2024

Or enter online <http://entries.hobartshowground.com.au>

CONTACT & PAYMENT DETAILS



To be received by RAST by **COB 30th September 2024** with **PART A** and entry fee paid in full by Exhibitor.

Name: _____

Address: _____

Suburb: _____ Post Code: _____

Phone/Mobile: _____ Email: _____

The RAST would appreciate assistance to help hang artwork or steward during the exhibition.

Can you assist with hanging the exhibition on Tue 15th or Wed 16th Oct 2024 (tick yes and circle date) **YES**

I am able to steward during the Show (tick yes and advise date) **YES** _____

ENTRY FEE: \$15 for first entry, \$10 each for subsequent entries - Maximum is 3 entries in total.

I have paid my fee of \$_____ by (tick below):

Direct deposit **Cash at the admin office** **Cheque** **Credit or debit card**

Please debit my credit card (Mastercard or Visa) in the amount of \$_____

Card Number: _____

Name on the card: _____ Expiry: _____

CVV: _____ Signature: _____ Date: _____

I agree to the conditions of entry as listed in this Schedule and accept the Judges' decision as final

(tick) **YES** Signed: _____

Please continue to complete Part A and Part B for exhibit details ↓

MANUAL ENRTY FORM 2024

Or enter online <http://entries.hobartshowground.com.au>



EXHIBIT DETAILS

PART A To be received by RAST by **COB 30th September 2024** with entry fee paid in full by Exhibitor.

Exhibit #1

Exhibit Name / Title: _____

Year Artwork Completed: _____ Dimensions (cm's) _____

Section (A, B, C, D, E or Emerging Artist): _____ Medium / Materials: _____

Sale Price: \$ _____ Date of Birth (Emerging Artist Only): _____

Artwork Image (photo of artwork must be emailed to RAST by COB 30th Sept 2024)

Artwork statement (Please provide a statement about the artwork, maximum 50 words. To be displayed in the Exhibition Catalogue):

Exhibit # 2

Exhibit Name / Title: _____

Year Artwork Completed: _____ Dimensions (cm's) _____

Section (A, B, C, D, E or Emerging Artist): _____ Medium / Materials: _____

Sale Price: \$ _____ Date of Birth (Emerging Artist Only): _____

Artwork Image (Photo of artwork must be emailed to RAST by COB 30th Sept 2024)

Artwork statement (Please provide a statement about the artwork, maximum 50 words. To be displayed in the Exhibition Catalogue):

Exhibit # 3

Exhibit Name / Title: _____

Year Artwork Completed: _____ Dimensions (cm's) _____

Section (A, B, C, D, E or Emerging Artist): _____ Medium / Materials: _____

Sale Price: \$ _____ Date of Birth (Emerging Artist Only): _____

Artwork Image (Photo of artwork must be emailed to RAST by COB 30th Sept 2024)

Artwork statement (Please provide a statement about the artwork, maximum 50 words. To be displayed in the Exhibition Catalogue):

MANUAL ENRTY FORM 2024

EXHIBIT DETAILS

PART B – ARTWORK EXHIBIT LABELS

This year, Artwork Exhibit Labels (previously known as “Part B” of the entry form), will be sent by email to all Exhibitors after entries close. Artwork Exhibit Labels will need to be printed and attached to the bottom left-hand corner on the back of each artwork prior to delivery. The artwork Exhibit Labels will be created and sent by the RAST Competition Coordinator and will show the Exhibitor’s Name, Title of Artwork, Price, Section of Entry and Barcode for scanning in.

Entries Close: 30th September 2024

Artwork Delivery: City Hall (57- 63 Macquarie Street), access via side door on Market Place.

Sat 12 th Oct	Mon 14 th Oct
<p>1:00pm – 5:00pm</p> <p><i>Please ensure the RAST provided “Part B” artwork exhibit label is attached to the back of each entry prior to delivery as per above.</i></p>	<p>9:00am – 1:00pm</p> <p><i>Please ensure the RAST provided “Part B” artwork exhibit label is attached to the back of each entry prior to delivery as per above.</i></p>